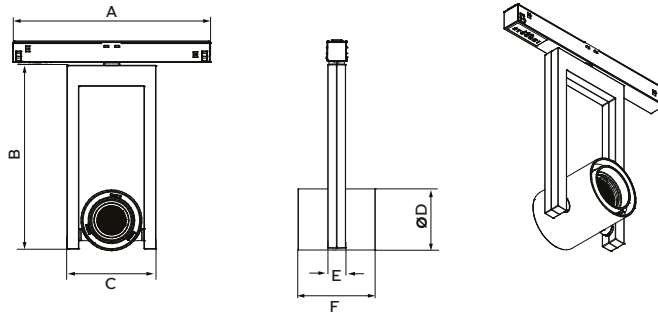


kreon installation manual

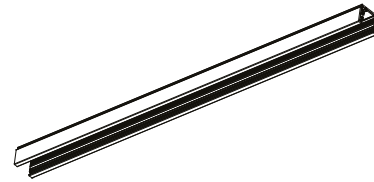
technics & dimensions



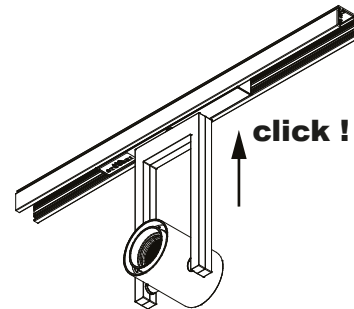
name	reference	voltage	ØA	B	C	ØD	E	F
diapason 40 on track	KR906602-xxx-xx-xx	48V	166.4	130	45	33	15	65
diapason 80 on track	KR916602-xxx-xx-xx	48V	166.4	155	75	51	15	65
diapason 120 on track	KR926602-xxx-xx-xx	48V	166.4	180	130	95	15	65

Please make sure the main voltage is disconnected before proceeding! ⚡

1. installation



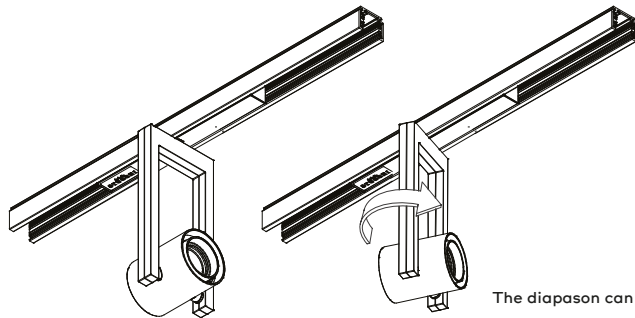
Install the Stucchi low voltage track as prescribed and feed it 48V
Push the adaptor into the track until click!



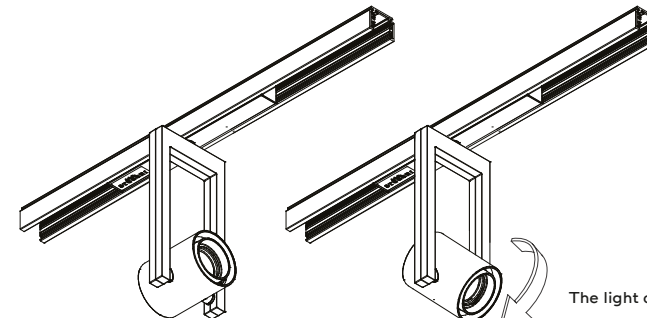
Precaution in case of fixtures with 1-10V dimming!

- It's not recommended to use 1-10V fixtures without connecting the 1-10V dimming cables on the track.
- It's not recommended to use 1-10V passive dimming on the 48V track, active dimming is preferred.
- If the 1-10V fixtures on the track don't function:
Take all of them out and mount them again one by one.
The moment a fixture causes a malfunction, take it out and rotate the adapter 180°, in case of passive dimming the polarity needs to be the same on all fixtures.

2. installation



The diapason can rotate max. 390°



The light can be inclined max. 90°

3. Pictures

